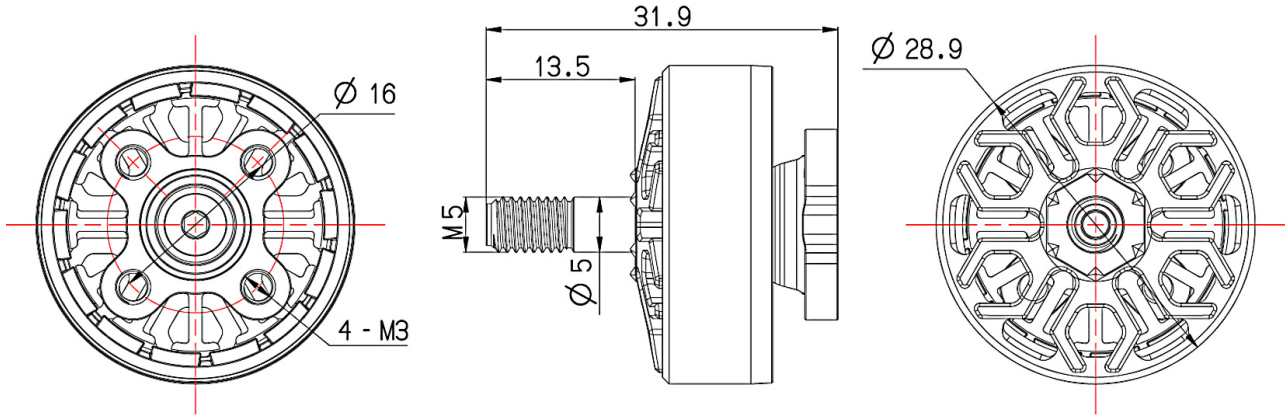


# Dimensions



# Package



Motor x1



M3 (8mm) x5



Nut x1

# 2306.5-1800KV Test Data

Propeller	KV	Throttle	Voltage (V)	Current (A)	Tension (g)	Rotational Speed (RPM)	Power (W)	Efficiency (g/W)	Temperature (°C)
4943.5-3	1800	30%	24.02	1.91	196.90	12544	45.90	4.29	Motor internal temperature: 40°C (Ambient: 32°C)
		40%	24.00	3.71	341.84	16238	89.15	3.83	
		50%	23.94	6.11	493.74	19314	146.35	3.37	
		60%	23.89	9.30	678.65	22483	222.21	3.05	
		70%	23.83	13.27	870.43	25269	316.22	2.75	
		80%	23.70	17.64	1054.42	27575	418.01	2.52	
		90%	23.63	23.26	1296.01	30236	549.72	2.36	
100%	23.52	28.78	1471.90	32119	676.95	2.17			

Propeller	KV	Throttle	Voltage (V)	Current (A)	Tension (g)	Rotational Speed (RPM)	Power (W)	Efficiency (g/W)	Temperature (°C)
51466-3	1800	30%	23.99	1.86	208.90	12437	44.68	4.68	Motor internal temperature: 40°C (Ambient: 32°C)
		40%	23.97	3.71	355.16	15972	89.04	3.99	
		50%	23.91	6.26	526.24	19062	149.66	3.52	
		60%	23.86	9.81	728.26	22031	234.03	3.11	
		70%	23.77	14.12	943.72	24911	335.58	2.81	
		80%	23.69	19.07	1157.64	27064	451.79	2.56	
		90%	23.57	24.89	1385.39	29326	586.70	2.36	
100%	23.47	30.76	1551.44	31317	721.97	2.15			

## Parameters

KV Value	1800
Stator Poles	12N14P
Shaft Diameter	4mm
Silicone Wire	20# 150mm
Motor Weight (including wires)	34.34 g
Phase Resistance (including wires)	77.55 mΩ
Operating Voltage	6S
(1 OV) No-load Current (10V)	0.71 A
Maximum Power	721.97 W
Maximum Current	30.76 A