

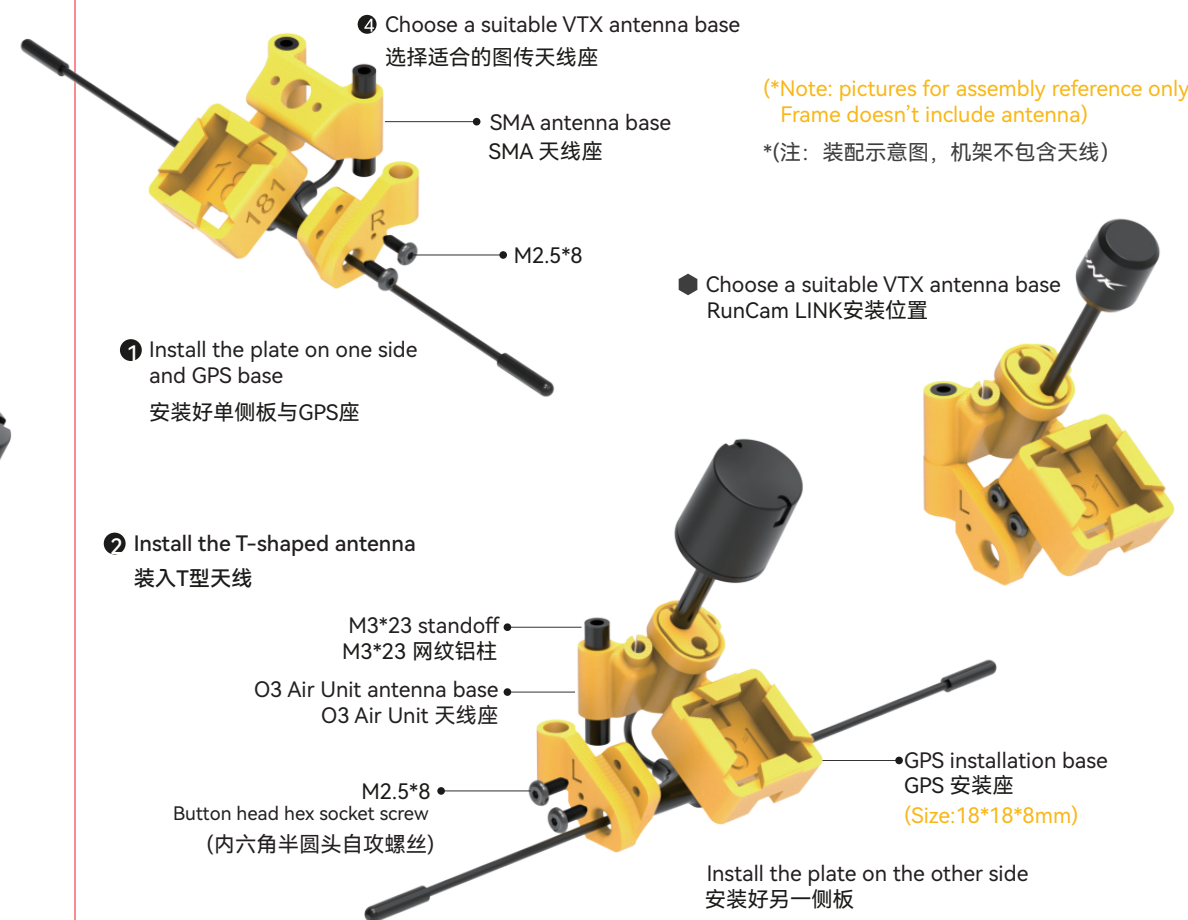


## Installation Guidelines 机架安装指引

### 1 CNC camera mount and camera side plate installation CNC机头及摄像头侧板安装

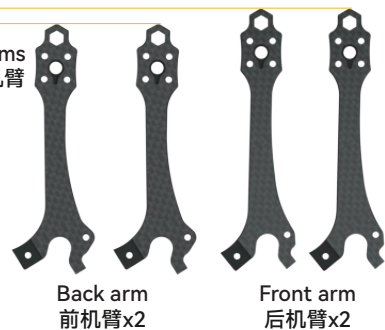


### 2 Install the multi-function antenna base 多功能天线座安装

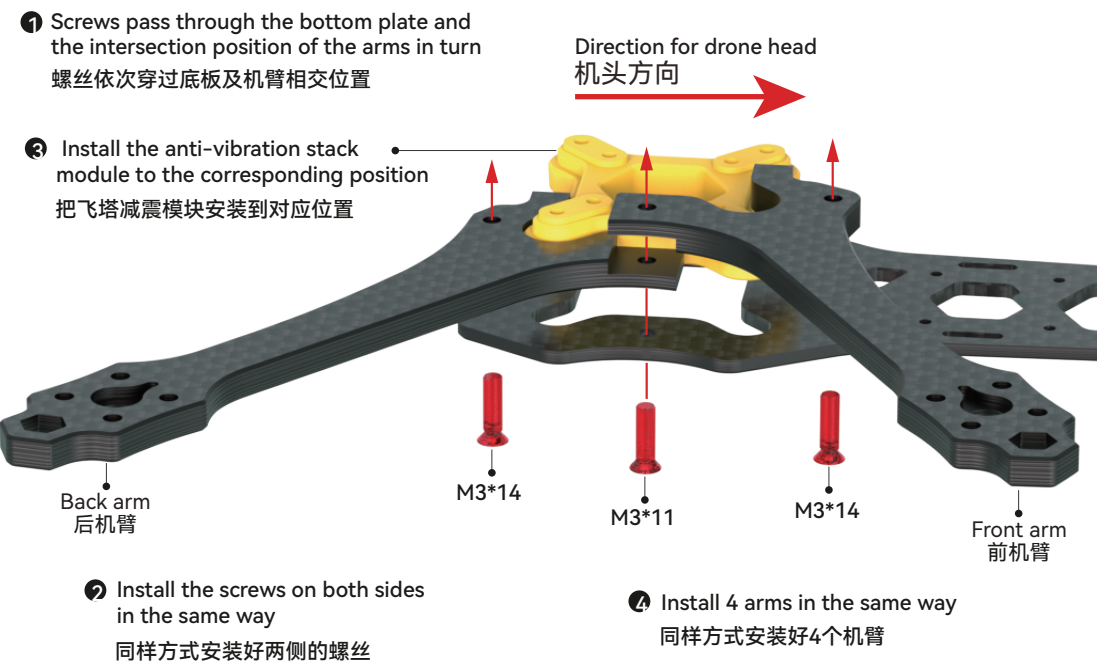


### 3 Install arms and anti-vibration module 机臂与减震安装

\*Notice: front and back arms  
\*注: 分前后机臂

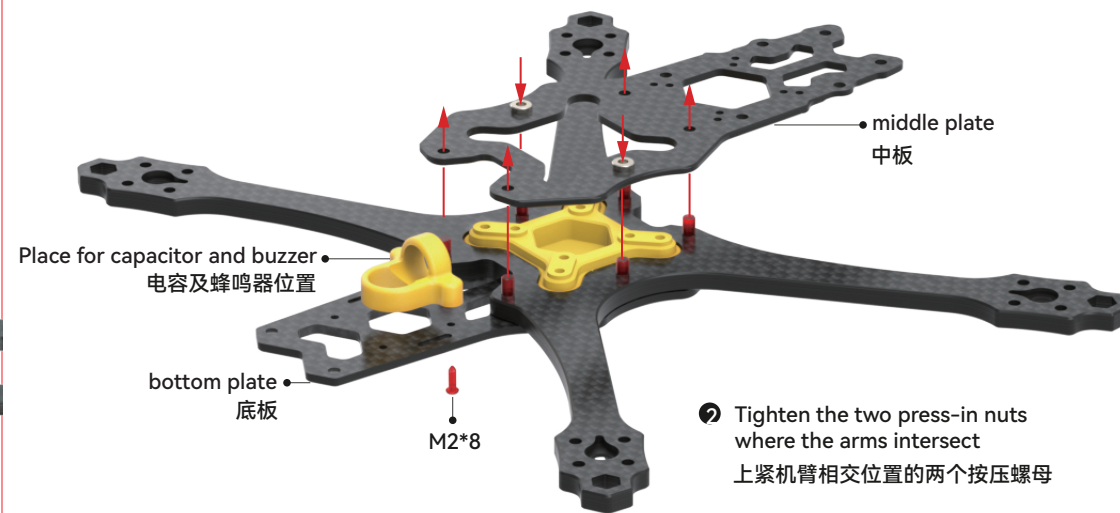


(Complete the installation of 4 arms in turn)  
(依次完成4个机臂的安装)



### 4 Install middle plate 安装中板

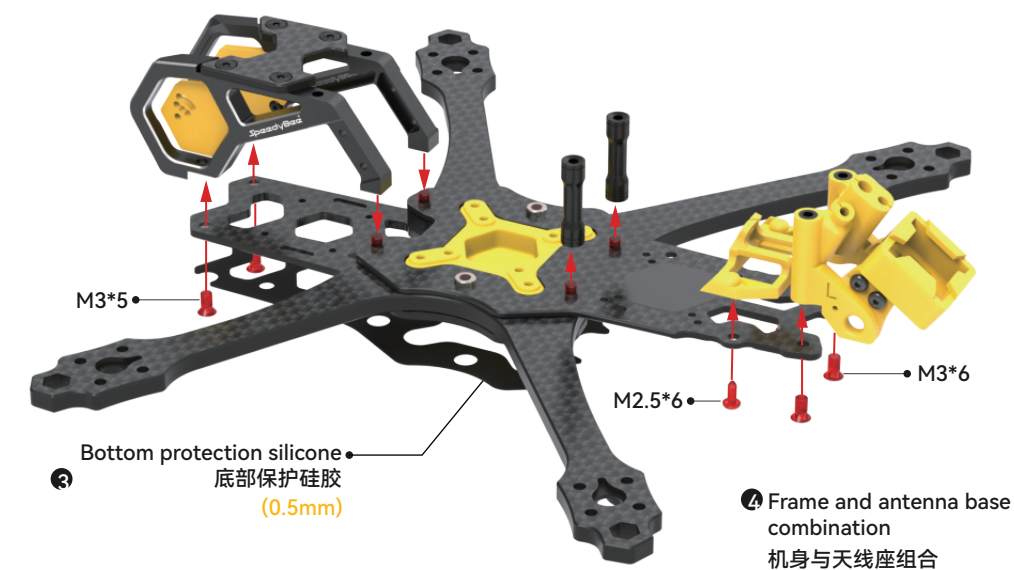
1 Install the middle plate to the corresponding 6 screw positions  
把中板安装到对应的6个螺丝位



### 5 Combination with completed parts 1 and 2 与完成的1、2两部分组合

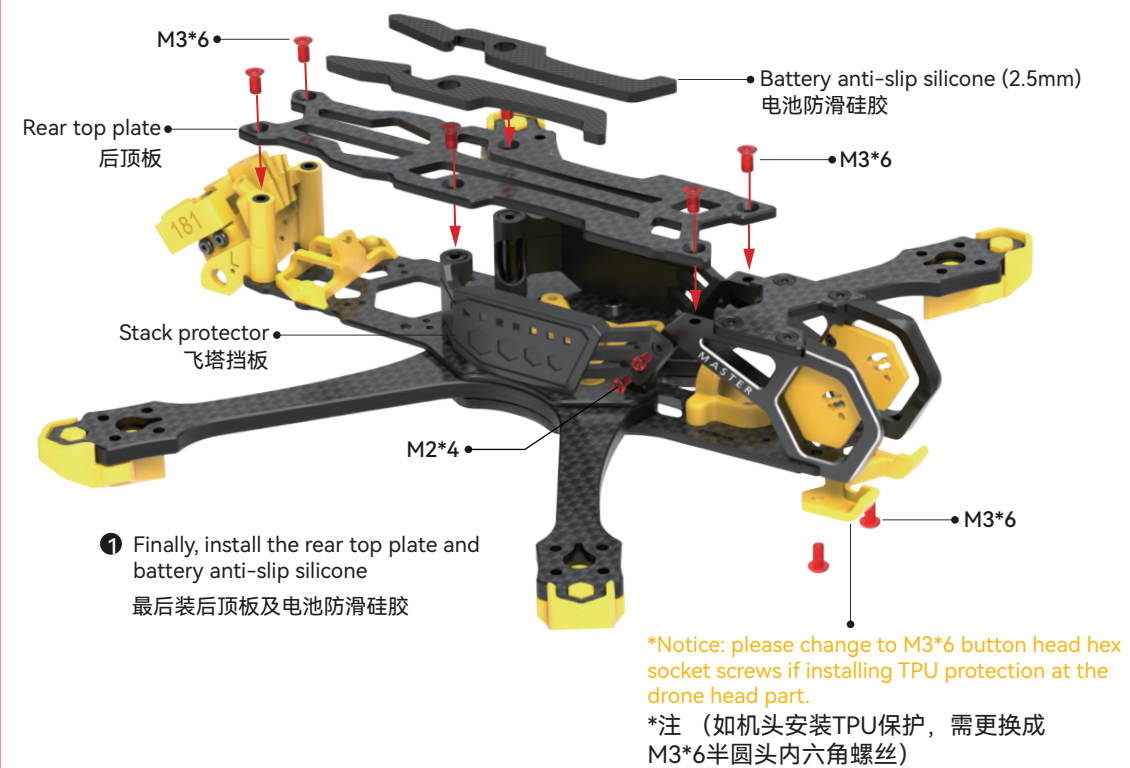
1 Combination of frame and CNC camera mount  
机身与CNC机头组合

2 Install 7075 standoff  
安装7075工型铝柱



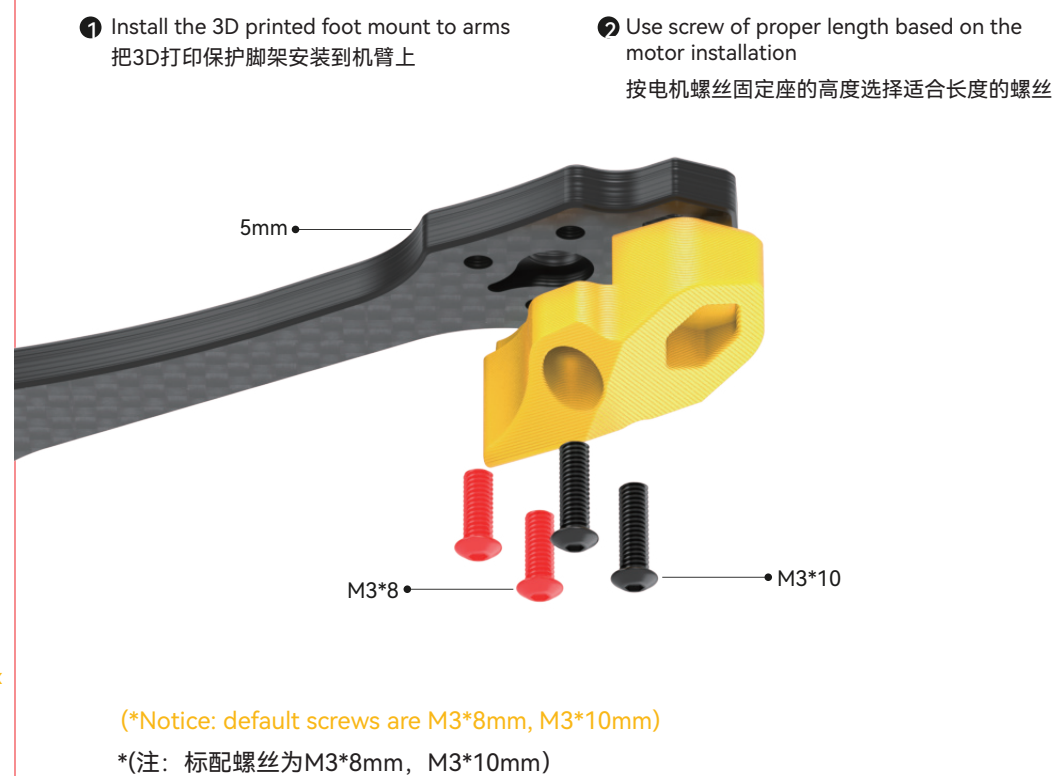
6

## Install rear top plate and battery anti-slip silicone 后顶板及电池防滑胶安装



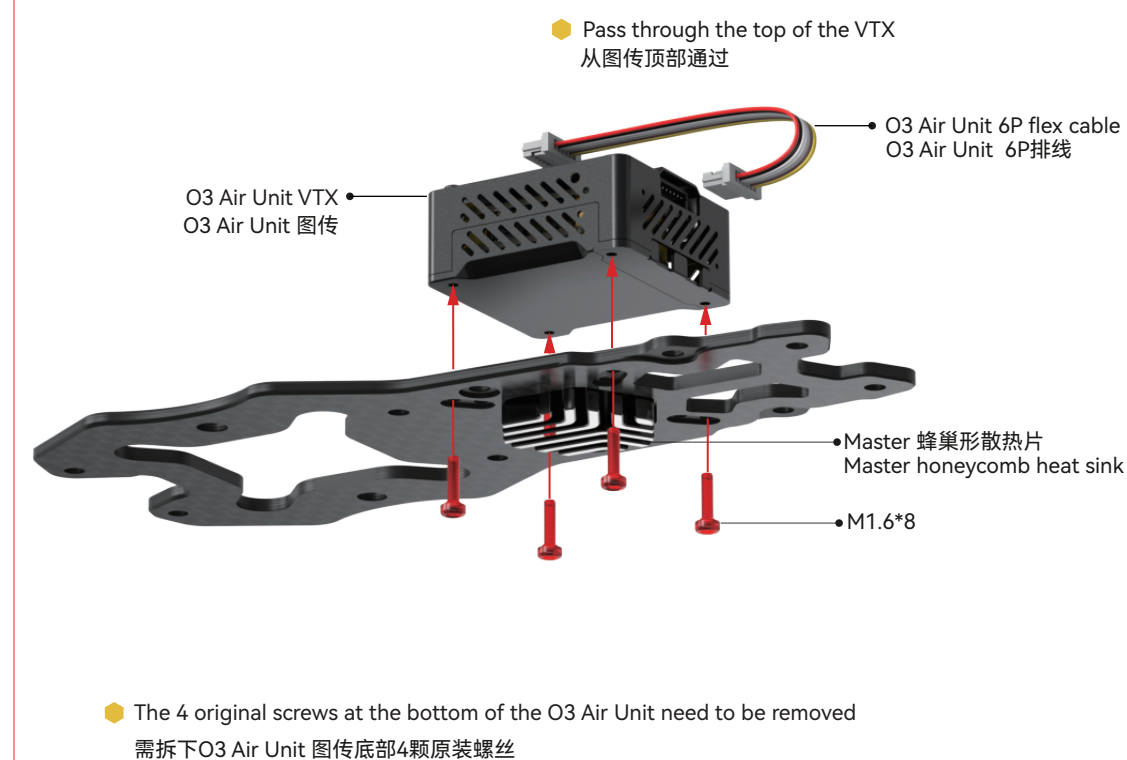
7

## Arm foot mount installation 机臂保护脚架安装方式



8

## O3 Air Unit Installation Method O3 Air Unit 安装方式



9

## Recommend installing ESC in reverse horizontally 180° 建议电调选择水平180度反装

\*Note (After the ESC is installed reversely, remember to redefine the correct position and direction of motors 1-4.)

\*注 (电调反装后, 切记重新定义1-4号电机的正确位置及转向。)

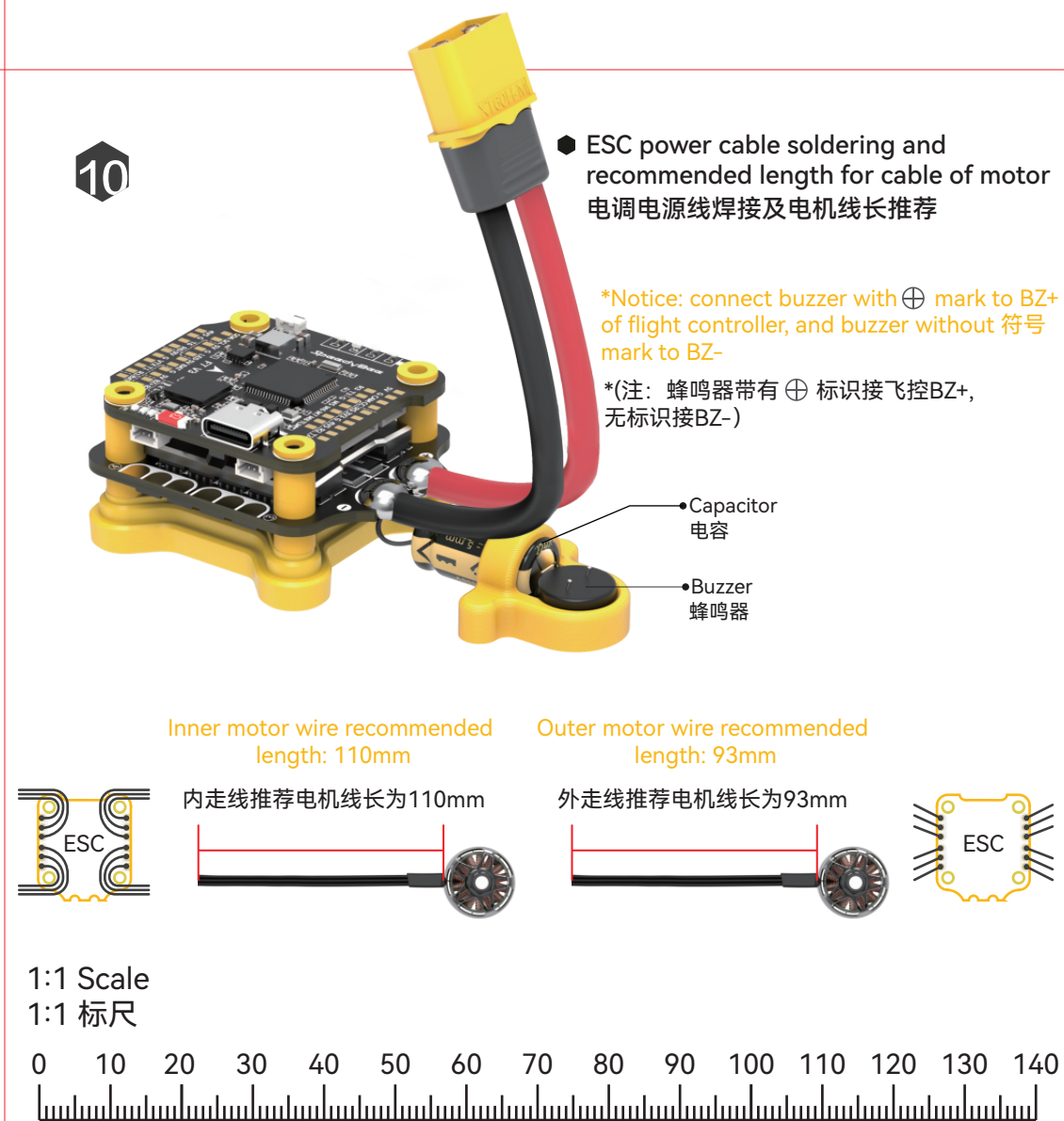
It is recommended to keep the power cable of ESC to be about 100mm.  
Please refer to the used battery for actual length.

建议电调电源线长为100mm左右, 实际请参考你所使用的电池。



10

## ESC power cable soldering and recommended length for cable of motor 电调电源线焊接及电机线长推荐



11

- 请扫描二维码获取安装指南  
建议您通过SpeedyBee App 扫描以获取更详细的安装指南

Scan the QR code to get the installation guide.  
We recommend you scan it through the SpeedyBee App for detailed instructions.



SpeedyBee APP



Installation Guidance  
安装说明



Facebook QR Code